

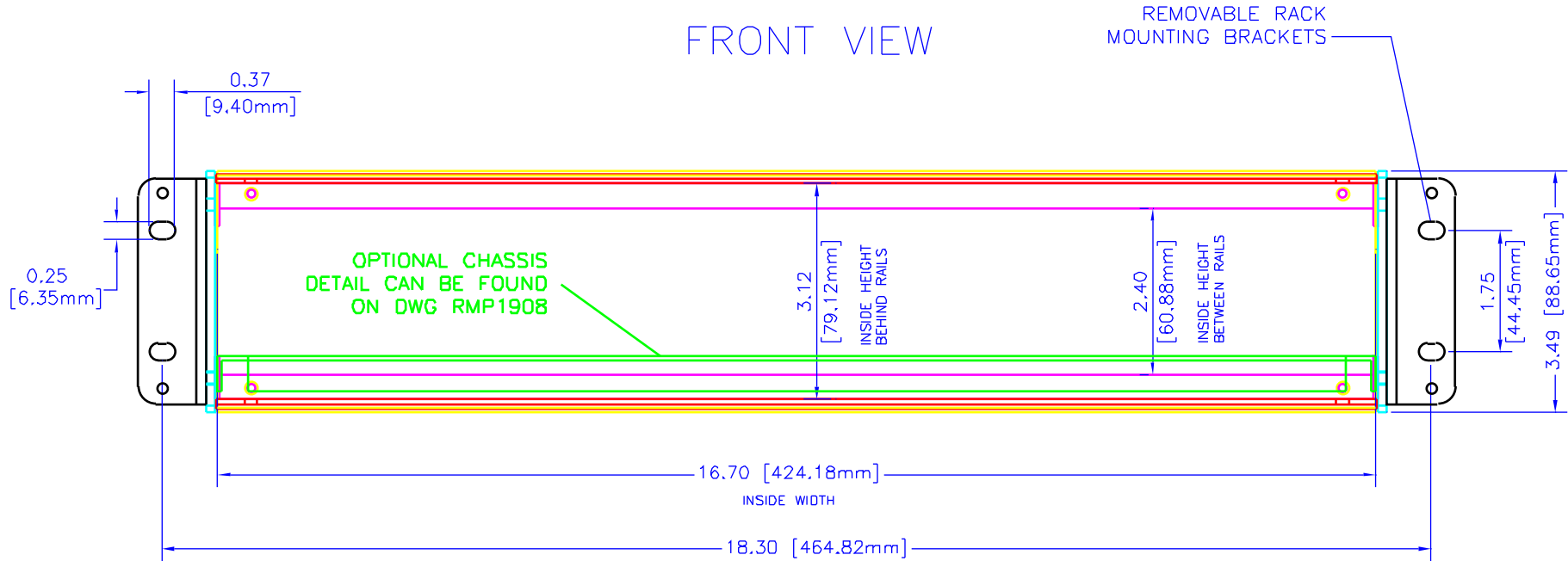
REV	DESCRIPTION	DATE
A	CORRECTED RACK MOUNT BRACKET DETAIL	09/11/01

NOTES

MATERIAL TOP & BOTTOM 0.062" STEEL, SIDES, FRONT, REAR & HORIZONTAL SUPPORTS 0.125" ALUMINUM, DIMENSIONS ARE TAKEN WITH THE PAINTED SURFACE

FINISH TOP, BOTTOM & SIDE PANELS, TEXTURED BLACK, FRONT/REAR PANELS ON SMOOTH BLACK, ONE CONTEMPRA GRAY (RAL 7032), ALL POWDER PAINT,

FRONT VIEW



UNLESS OTHERWISE SPECIFIED
DIMENSIONS ARE IN INCHES

X	+/- .1
XX	+/- .02
XXX	+/- .015
CUTS	+/- .005
ANGLES	+/- 5 DEC.



**HAMMOND
MANUFACTURING**

WEB: WWW.HAMMONDMFG.COM

TITLE HAMMOND RMCV SERIES
RACK ENCLOSURE

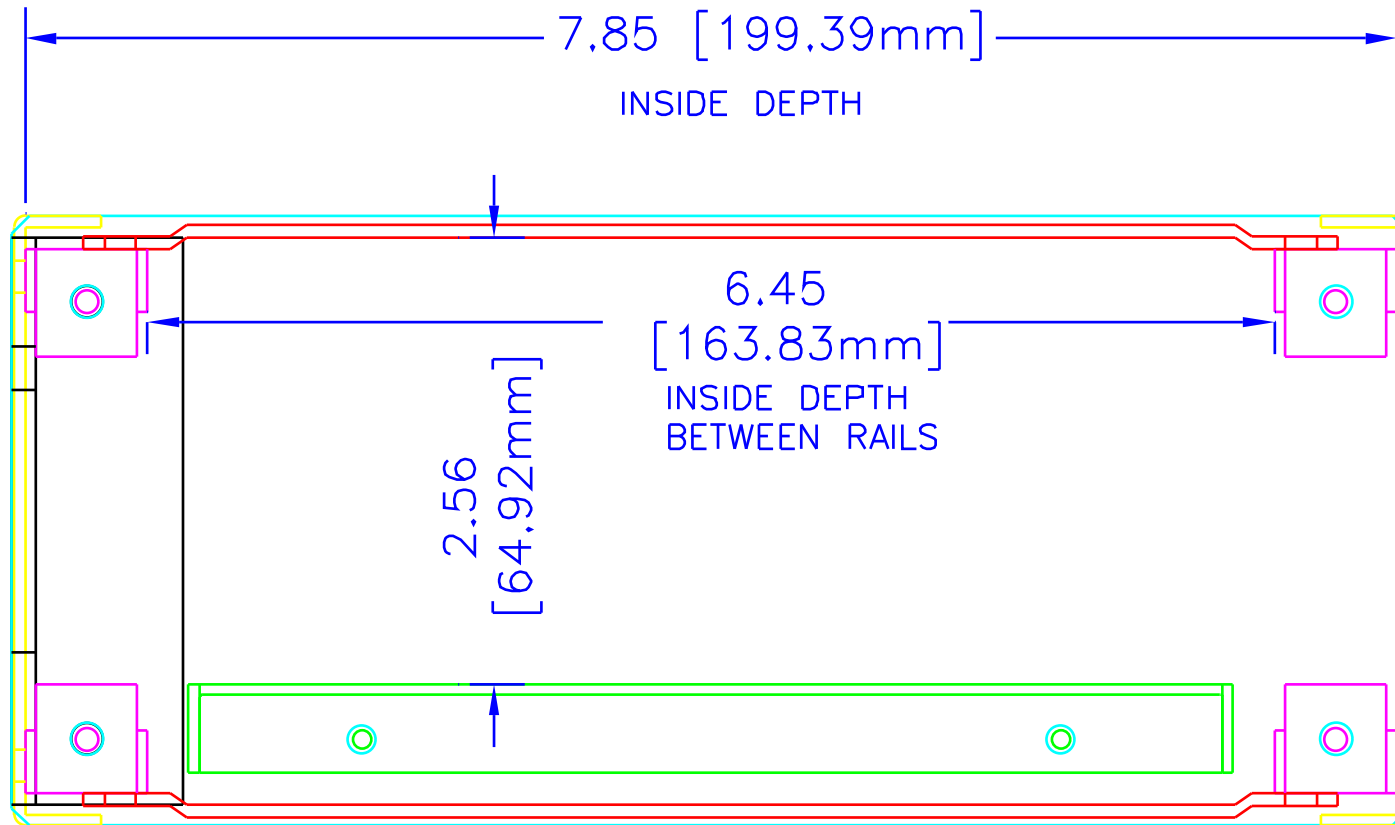
DRAWN BY MJM DATE 09/17/01

SCALE PAGE 1 OF 3

PART NUMBER

RMCV19038

SIDE VIEW



UNLESS OTHERWISE SPECIFIED
DIMENSIONS ARE IN INCHES

FIN	+/- .1
DR	+/- .02
CAST	+/- .015
CUT	+/- .005
PROCS	+/- 5.0%

NOTE:
1. All dimensions are to be taken from the drawing unless otherwise specified.
2. All dimensions are to be taken from the drawing unless otherwise specified.
3. All dimensions are to be taken from the drawing unless otherwise specified.
4. All dimensions are to be taken from the drawing unless otherwise specified.
5. All dimensions are to be taken from the drawing unless otherwise specified.



**HAMMOND
MANUFACTURING**

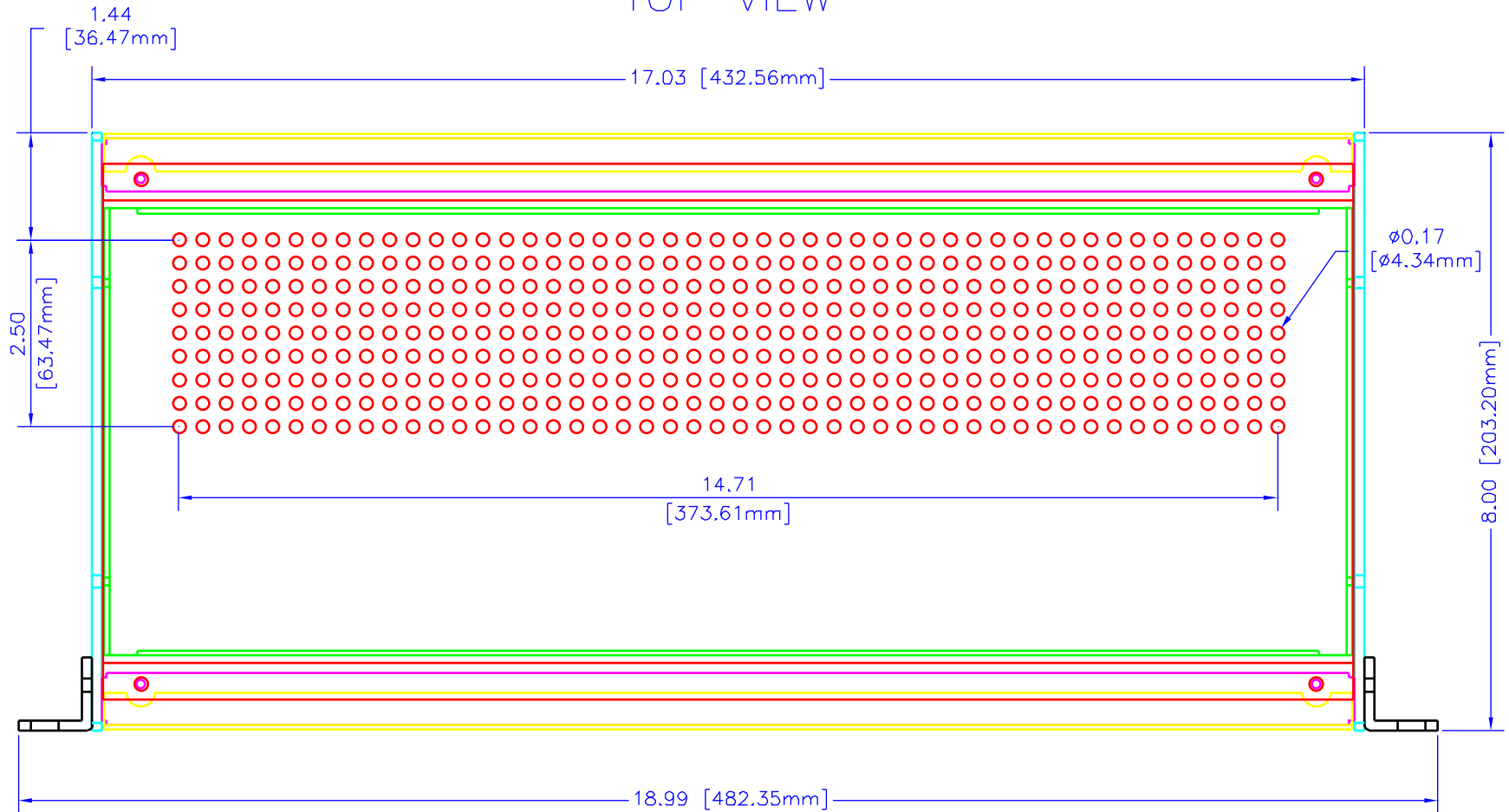
WEB: WWW.HAMMONDMFG.COM

TITLE
**HAMMOND RMCV SERIES
RACK ENCLOSURE**

DRAWN BY	MJM	DATE	09/17/01
SCALE		PAGE	2 OF 3

PART NUMBER
RMCV19038

TOP VIEW



UNLESS OTHERWISE SPECIFIED
DIMENSIONS ARE IN INCHES

X	+/- .1
XX	+/- .02
XXX	+/- .015
CUTS	+/- .005
ANGLES	+/- 5 DEG.

NOTE:
HAMDOR HOLDS PROPRIETARY RIGHTS TO THE MATERIAL ON THIS DRAWING. IT IS INTENDED TO BE USED AS A REFERENCE FOR ENGINEERING INFORMATION ONLY. THIS INFORMATION MAY NOT BE USED TO MANUFACTURE PRODUCT WITHOUT WRITTEN PERMISSION FROM HAMMOND MANUFACTURING.



**HAMMOND
MANUFACTURING**

WEB: WWW.HAMMONDMFG.COM

TITLE
**HAMMOND RMCV SERIES
RACK ENCLOSURE**

DRAWN BY MJM DATE 09/17/01

SCALE PAGE 3 OF 3

PART NUMBER

RMCV19038